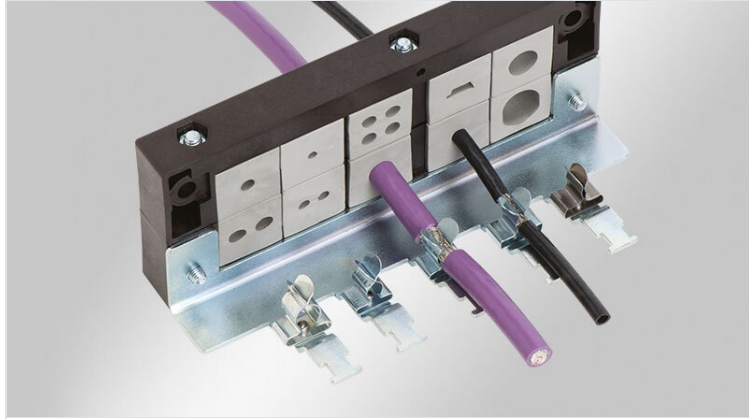


KEL-EMC | KEL-EMC-Z cable assembly

with shield earthing and integrated strain relief



Cable entry, EMC shield earthing and strain relief - all in one location!

Cables pass through the [KEL cable entry frame](#) and lead directly to cable shield earthing and strain relief. Three functions carried out quickly and easily!

KEL-EMC-Z: Custom configurations are available for shield clamps up to 16 mm in diameter with minimal order quantities and lead time.

Material:

KEL-EMC: Stainless steel

KEL-EMC-Z: Mild steel, galvanically zinc plated



RoHS
compliant



Made in
Germany



Specifications

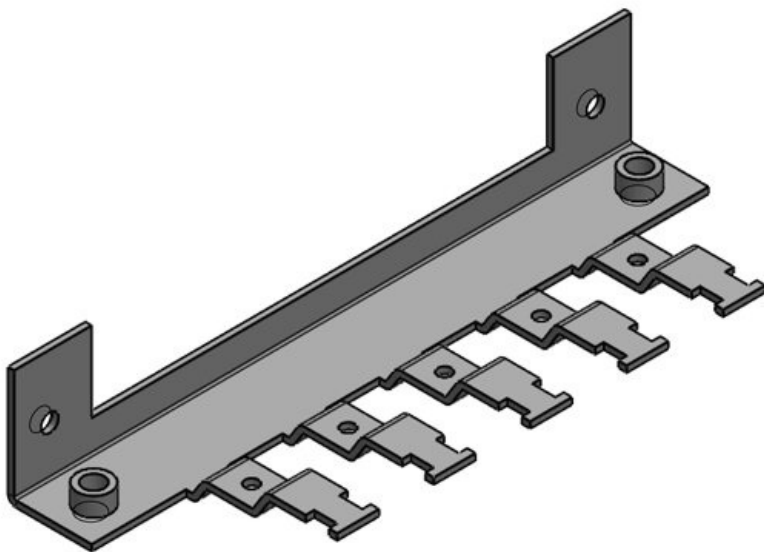
| | |
|-------------------------|---|
| Material | Mild steel, galvanically zinc plated Stainless steel |
| Properties | vibration proof |
| Mounting options | Screw type mounting |

Advantages & benefits

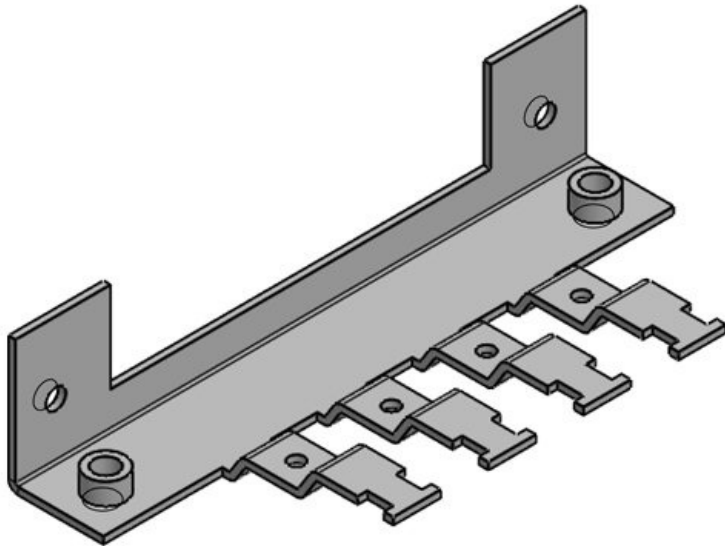
- Large surface contact between cable shield and housing, especially on conductive coated surfaces
- Easily combines cable routing, EMC and strain relief due to the use of the same mounting holes
- Available without SKL shield clamps if only additional strain relief is required
- M6 Mounting hole for earthing tape or PE connection (KEL-EMC-Z)
- Direct, easy and quick contact to the enclosure
- Space saving, usable for up to 10 cables with the two row model
- Replacement for EMC cable glands, even for pre-terminated cables

Product types & sizes

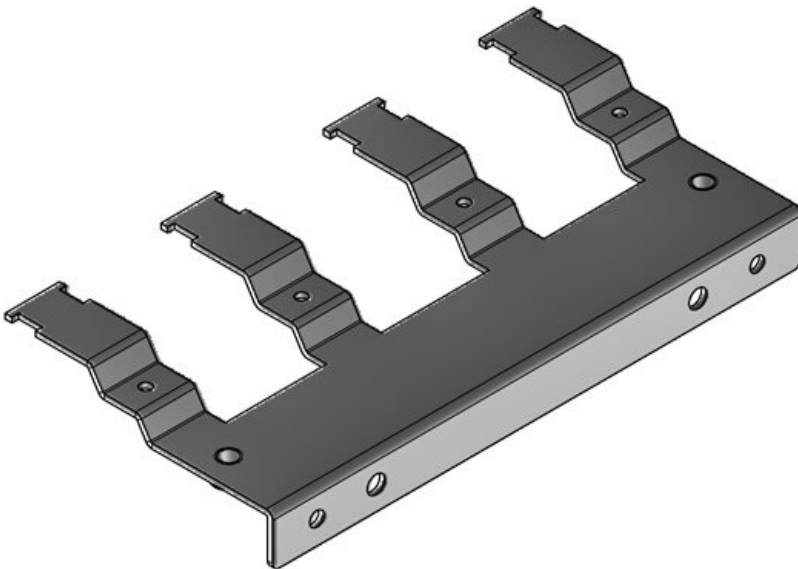
KEL-EMC-Z 24|5



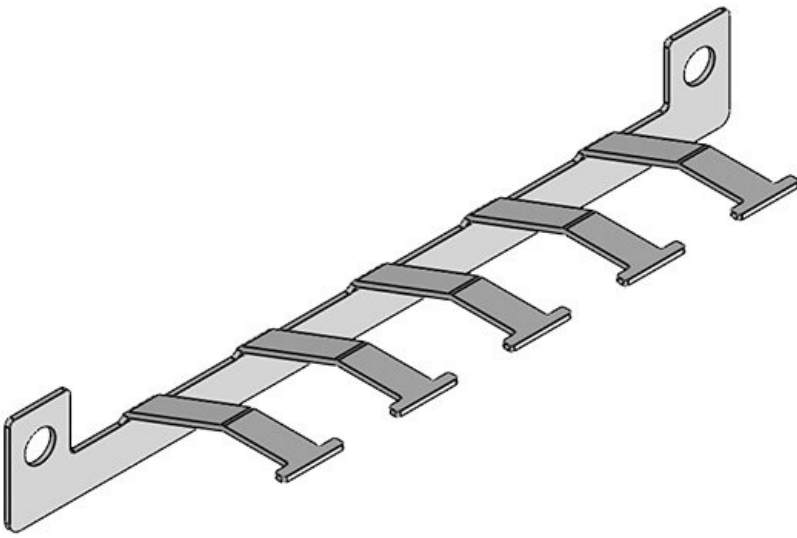
| | | | |
|--------------------------|----------------------|-----------------------------------|---|
| Part No. | 36527 | Width | 56 mm |
| EAN | 4251269303074 | Height | 28 mm |
| Package quantity | 1 | Mounting height | 28 mm |
| For no. of shield clamps | 5 | Hole size | M5 / M6 |
| For max. no. of cables | 5 | No. of screw holes | 2 |
| Length L1 | 147 mm | No. of teeth | 5 |
| Length L2 | 130 mm | Suitable for cable entry systems: | KEL-ER 24, KEL-ER-E5, KEL-U 24, KEL-FG-E5, KEL-QUICK 24, KEL-QUICK-E5, KEL-BES 24, KEL-BES-S 24, KEL-DPZ 24, KEL-DPZ-E, KEL-DPU 24 |



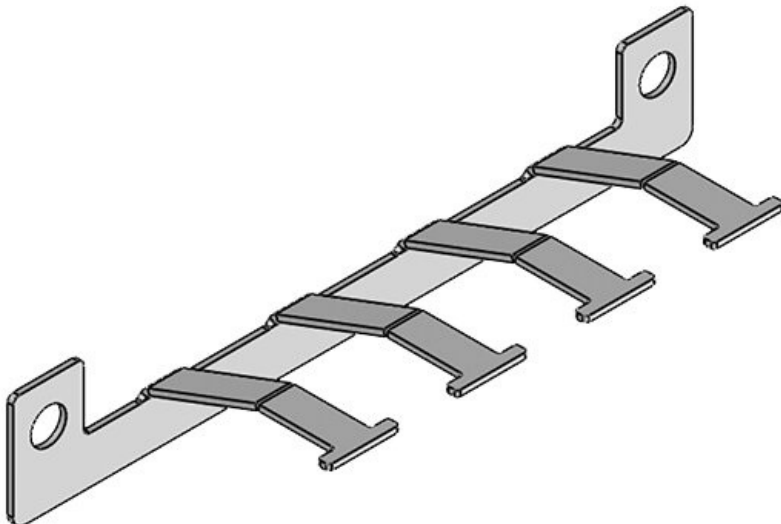
| | | | |
|--------------------------|-------------------|-----------------------------------|---|
| Part No. | 36525 | Width | 56 mm |
| EAN | 4251269303 | Height | 28 mm |
| | 050 | Mounting height | 28 mm |
| Package quantity | 1 | Hole size | M6 / M5 |
| For no. of shield clamps | 4 | No. of screw holes | 2 |
| For max. no. of cables | 4 | No. of teeth | 4 |
| Length L1 | 120 mm | Suitable for cable entry systems: | KEL-ER 16, KEL-ER-E4, KEL-U 16, KEL-QUICK 16, KEL-QUICK-E4, KEL-BES 16, KEL-BES-S 16, KEL-DPZ 16 |
| Length L2 | 103 mm | | |



| | | | |
|--------------------------|-------------------|-----------------------------------|---------------------------|
| Part No. | 36528 | Width | 79 mm |
| EAN | 4251269331 | Height | 27 mm |
| | 343 | Mounting height | 27 mm |
| Package quantity | 1 | Hole size | M4 / M6 |
| For no. of shield clamps | 4 | No. of screw holes | 2 |
| For max. no. of cables | 4 | No. of teeth | 4 |
| Length L1 | 156 mm | Suitable for cable entry systems: | KEL 183-E, KEL 183 |
| Length L2 | 140 mm | | |



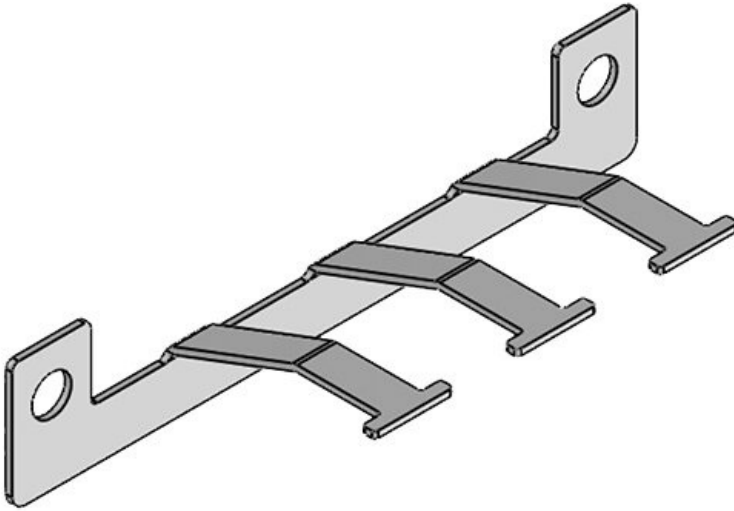
| | | | |
|------------------------|----------------------|-----------------------------------|---|
| Part No. | 36526 | Height | 19,5 mm |
| EAN | 4251269303067 | Mounting height | 19,5 mm |
| Package quantity | 5 | No. of screw holes | 2 |
| For max. no. of cables | 5 | Diam. of screw holes | 6 mm |
| Length L1 | 142 mm | No. of teeth | 5 |
| Length L2 | 130 mm | Suitable for cable entry systems: | KEL-ER 24, KEL-ER-E5, KEL 24, KEL-E5, KEL-U 24, KEL-FG-E5, KEL-QUICK 24, KEL-QUICK-E5, KEL-BES 24, KEL-BES-S 24, KEL-DPZ 24, KEL-DPZ-E, KEL-DPU 24 |
| Width | 35 mm | | |



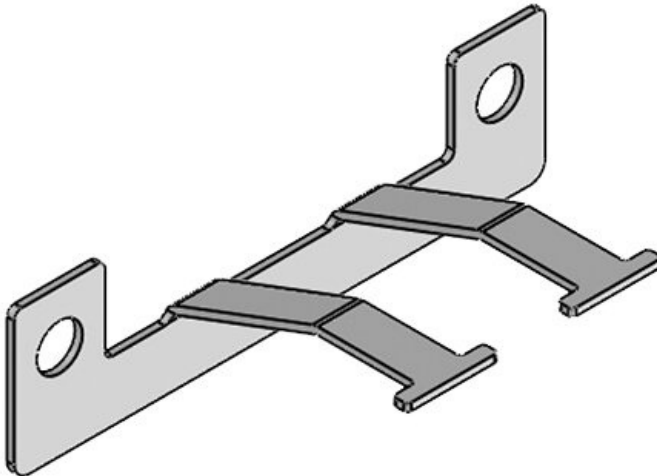
| | | | |
|------------------------|----------------------|-----------------------------------|---|
| Part No. | 36524 | Height | 19,5 mm |
| EAN | 4251269303043 | Mounting height | 19,5 mm |
| Package quantity | 5 | No. of screw holes | 2 |
| For max. no. of cables | 4 | Diam. of screw holes | 6 mm |
| Length L1 | 115 mm | No. of teeth | 4 |
| Length L2 | 103 mm | Suitable for cable entry systems: | KEL-ER 16, KEL-ER-E4, KEL 16, KEL-E4, KEL-U 16, KEL-QUICK 16, KEL-QUICK-E4, KEL-BES 16, KEL-BES-S 16, KEL-DPZ 16 |
| Width | 35 mm | | |

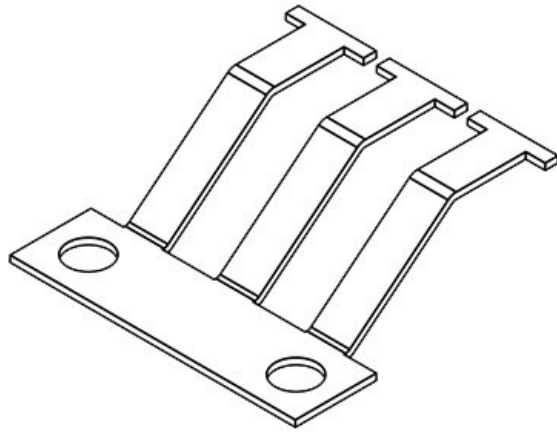
KEL-EMC 10

| | | | |
|------------------------|----------------------|-----------------------------------|--|
| Part No. | 36522 | Height | 19,5 mm |
| EAN | 4251269303036 | Mounting height | 19,5 mm |
| Package quantity | 5 | No. of screw holes | 2 |
| For max. no. of cables | 3 | Diam. of screw holes | 6 mm |
| Length L1 | 95 mm | No. of teeth | 3 |
| Length L2 | 83 mm | Suitable for cable entry systems: | KEL-ER 10, KEL-ER-E3, KEL 10, KEL-E3, KEL-U 10, KEL-FG-E3, KEL-QUICK 10, KEL-QUICK-E3, KEL-BES 10, KEL-BES-S 10 |
| Width | 35 mm | | |

**KEL-EMC-B**

| | | | |
|------------------------|----------------------|-----------------------------------|---|
| Part No. | 36520 | Height | 19,5 mm |
| EAN | 4251269303029 | Mounting height | 19,5 mm |
| Package quantity | 5 | No. of screw holes | 2 |
| For max. no. of cables | 2 | Diam. of screw holes | 6 mm |
| Length L1 | 70 mm | No. of teeth | 2 |
| Length L2 | 58 mm | Suitable for cable entry systems: | KEL-ER-B, KEL-ER-E2, KEL-B, KEL-E2, KEL-U-B, KEL-FG-E2, KEL-QUICK-B, KEL-QUICK-E2, KEL-DPZ-B |
| Width | 35 mm | | |





| | | | |
|------------------------|-------------------|-----------------------------------|-------------------------------|
| Part No. | 39110 | Height | 19,5 mm |
| EAN | 4251269305 | Mounting height | 19,5 mm |
| Package quantity | 5 | No. of screw holes | 2 |
| For max. no. of cables | 3 | Diam. of screw holes | 6 mm |
| Length L1 | 44 mm | No. of teeth | 3 |
| Length L2 | 32 mm | Suitable for cable entry systems: | KEL-ER |
| Width | 35 mm | | 24/16/10/-B, KEL |
| | | | 24/16/10/-B, KEL-U |
| | | | 24/16/10/-B, KEL-QUICK |
| | | | 24/16/10/-B, KEL-BES |
| | | | 24/16/10, KEL-BES-S |
| | | | 24/16/10, KEL-DPZ |
| | | | 24/16, KEL-DPU 24 |